

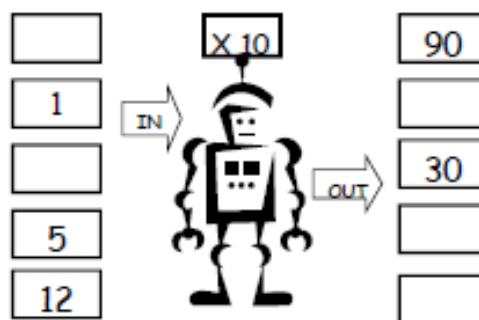
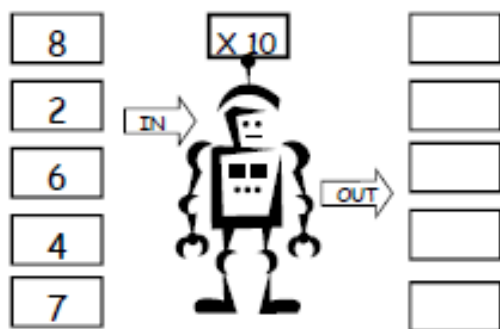
English

Write a list of words that rhyme with the following.

1. cat
2. witch
3. gun
4. fight
5. star

Year 4 Maths-

The robots multiply the numbers by 10, can you work out the missing numbers.



Year 5 Maths-

1. Write the first five multiples for each number.

- a. 6
- b. 8
- c. 12
- d. 15
- e. 50

2. List all the factors for each number.

- a. 12
- b. 20
- c. 30

Spellings-

There will now be a Year 4 spelling list and a Year 5 spelling list. Please ensure you are learning the correct list.

Year 4	Year 5
arrive	aggressive
centre	bruise
difficult	correspond
famous	environment
heart	forty
length	interfere
occasionally	nuisance
possession	programme
regular	secretary
surprise	system